

XL6004 DEMO Board manual

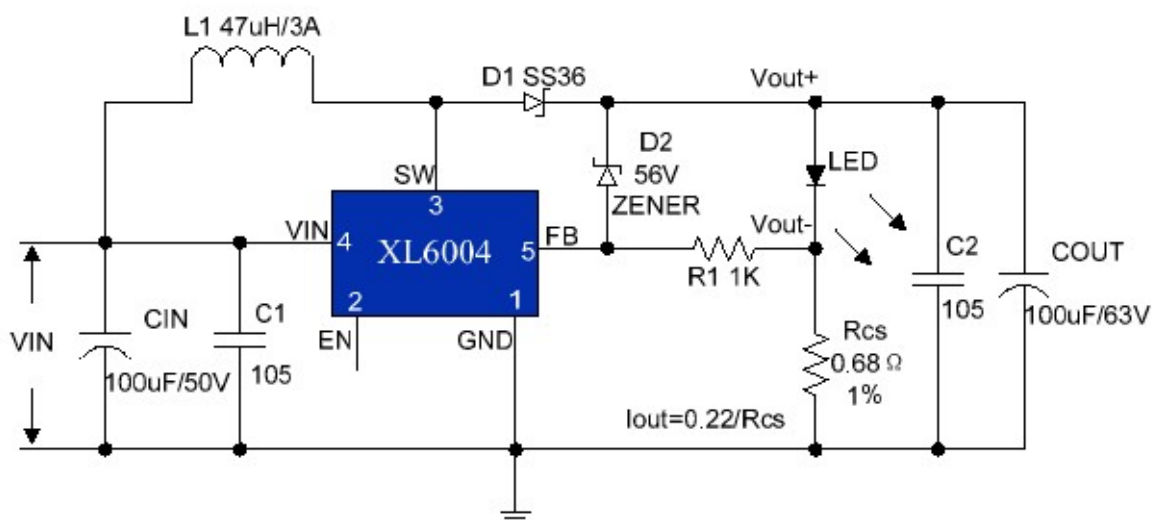
Introduction

The document describes a high efficiency LED driver designed to drive an LED driver at a current of 300 mA from an input voltage range of 5 VDC to 32 VDC, output support 2~16 series 1W LED.

The XL6004 also provides a sophisticated range of protection features including output LED open faults and soft-start function. Accurate hysteretic thermal shutdown ensures safe average PCB temperatures under all conditions. Design with very low parts count.

This document contains the converter specification, schematic, PCB diagram, bill of materials.

Schematic



XL6004 VIN=DC5V~DC32V, IOU=320mA Typical Application Circuit

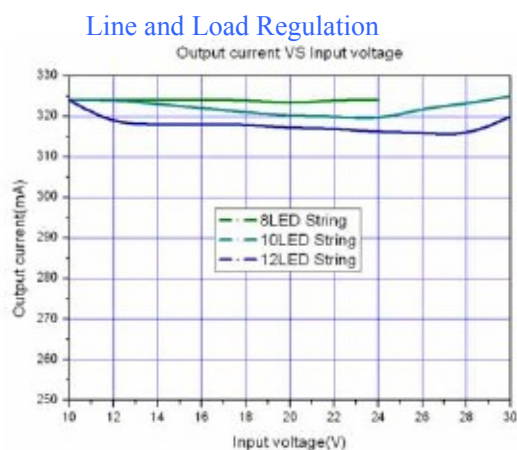
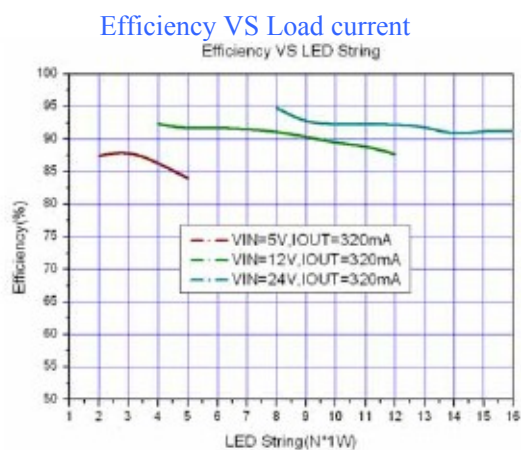
Pin Description

Pin Number	Pin Name	Description
1	GND	Ground Pin.
2	EN	Enable Pin. Drive EN pin low to turn off the device, drive it high to turn it on. Floating is default high.
3	SW	Power Switch Output Pin (SW).
4	VIN	Supply Voltage Input Pin. XL6004 operates from a 5V to 32V DC voltage.
5	FB	Feedback Pin (FB). The feedback threshold voltage is 0.22V.

Bill of Materials

Item	Qty	Ref Des	Description	Mfg Part Number	Mfg
1	2	C1,C2	1uF,50V,Ceramic,X7R,0805	C2012X7R1H105K	TDK
2	1	Cin	100uF,50V,Electrolytic,(8x11.5)	YXA-50V-100uF	Rubycon
3	1	Cout	100uF,63V,Electrolytic,(8x11.5)	YXA-63V-100uF	Rubycon
4	1	D1	60V,3A,Schottky Rectifier,SMC	SS36	东森微
5	1	D2	56V,0.5W,ZENER,MINI MELF	ZMM55C56	东森微
6	1	L1	47uH,3A,10*4		
7	1	R1	1KΩ,1%,1/8 W,Thick Film,0805	RC0805xR-071001L	Yageo
8	1	RCS	0.68Ω,1%,1/4 W,Thick Film,1206	RC1206xR-07R680L	Yageo
9	1	U1	BOOST DC-DC LED Constant Current Driver,TO252-5L	XL6004	东森微

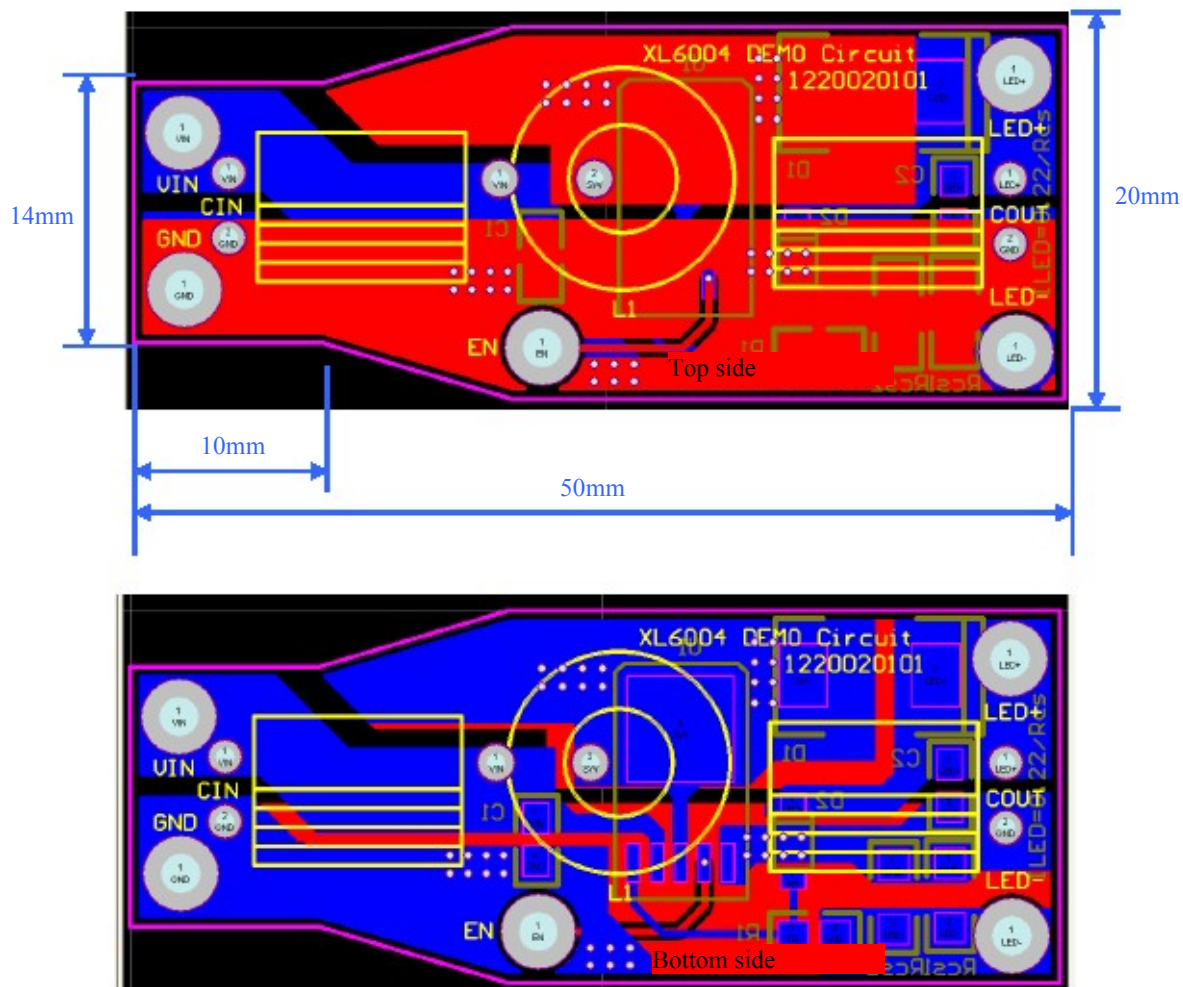
Performance Data



Populated Circuit Board Photograph



PCBLayout



Note:

- 1. Keep feedback wiring away from inductor and schottky.
- 2. VIN, SW, LED+, LED- lines must be short and ground plane construction for best results.

昆山东森微电子有限公司

手机: 15950933050

电话: 0512-50710709

传真: 0512-50111209

MSN: wei_126@hotmail.com

QQ: 41086900

网站: <http://www.ksmcu.com>

代理: 集成电路、光耦、MOS管、可控硅、各类二三极管、桥堆